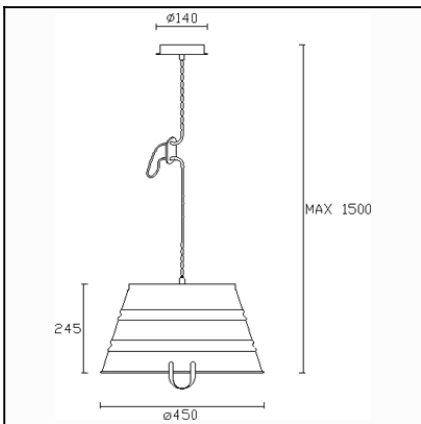


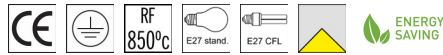


The photograph may not match the reference exactly. Please read the product description to identify the finish.



TECHNICAL CHARACTERISTICS

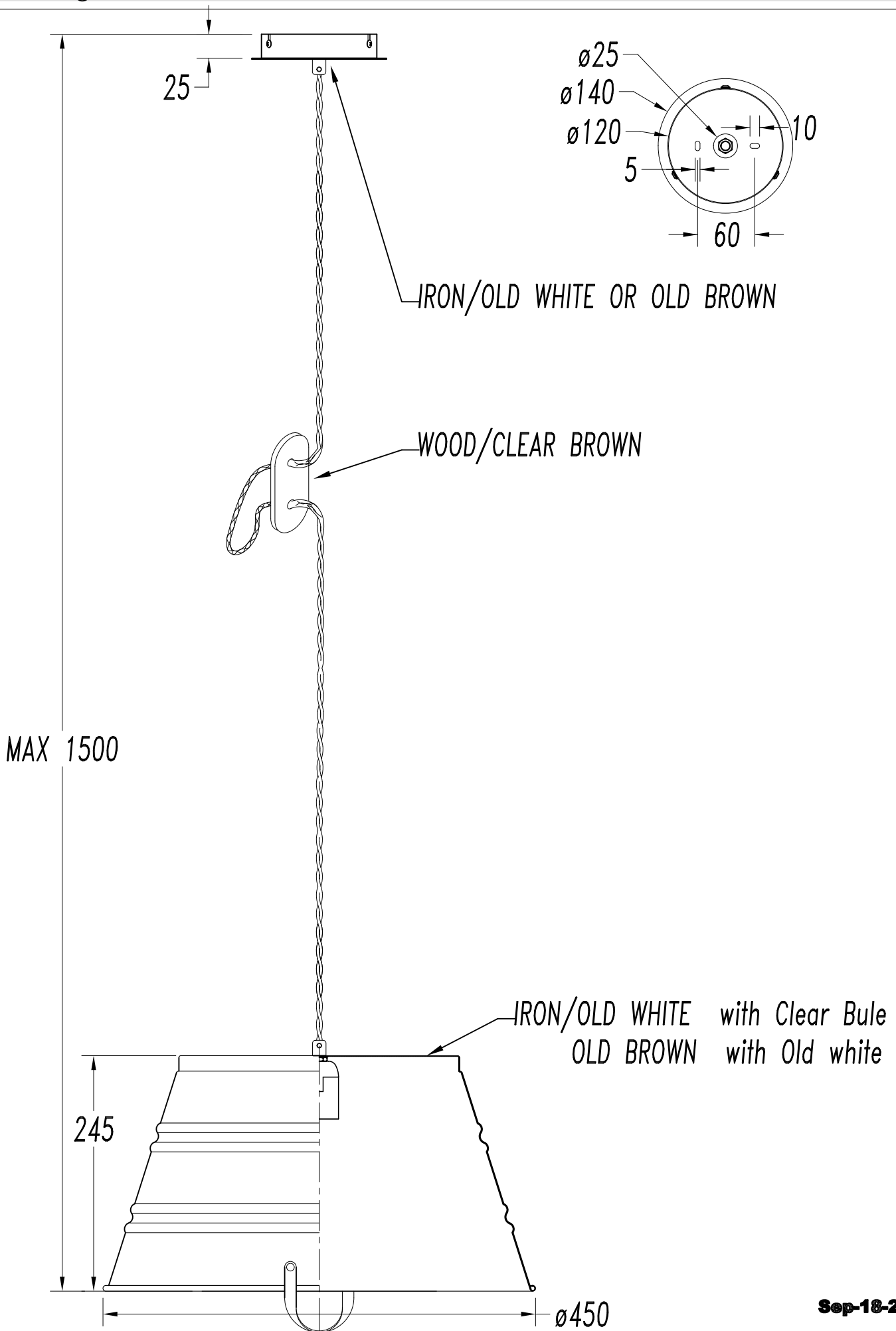
Type:	Pendant
IP Protection degrees:	IP20
Lampholder:	1 x E27 1 x E27
Power (W):	E27 MAX 100W E27 MAX 30W
Total power consumption (W):	100
Voltage / Frequency:	220-240V/50-60Hz
Warranty (Years):	2
Units per box:	2
Net Weight (Kg):	1.305
EAN:	8435381409883



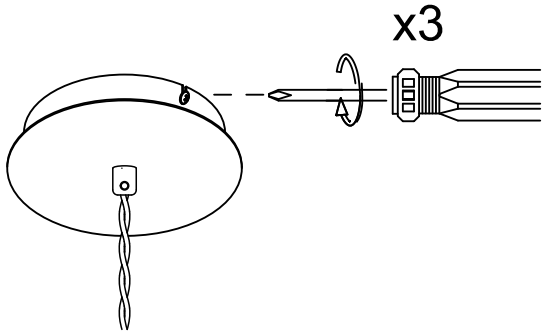
MATERIALS / FINISHES

Structure material:	Steel Aluminium
Structure finish:	Off-white Blue

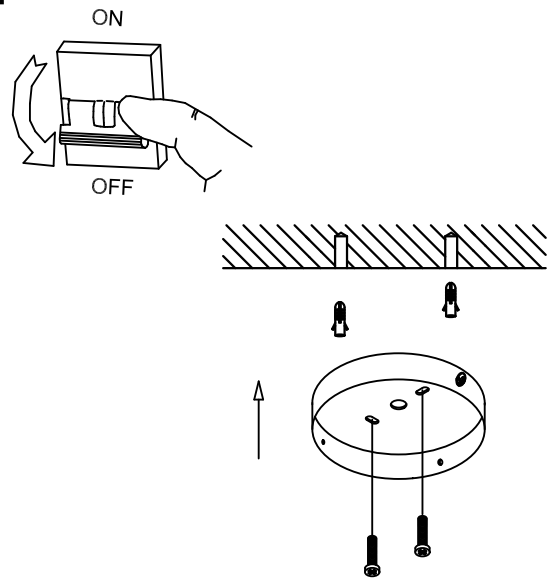
[Download photometric file .ldt / .ies](#)



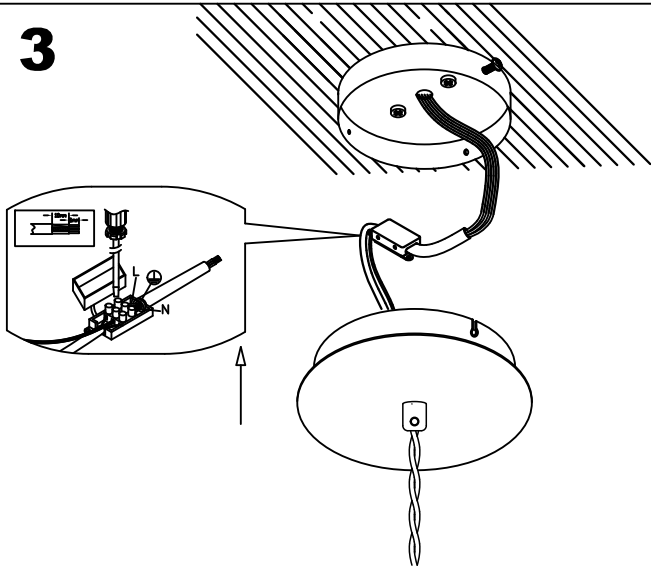
1



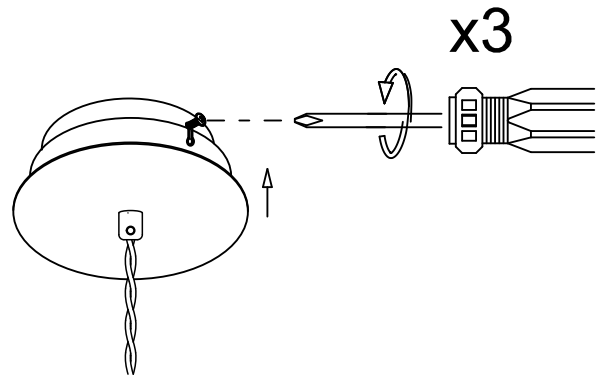
2



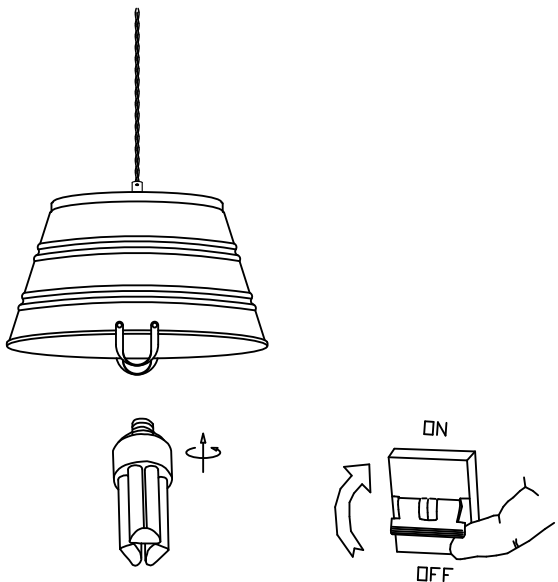
3



4



5



6

